

LCT Adaptor Type B (B699)

LCT Adaptor Type B (B699)

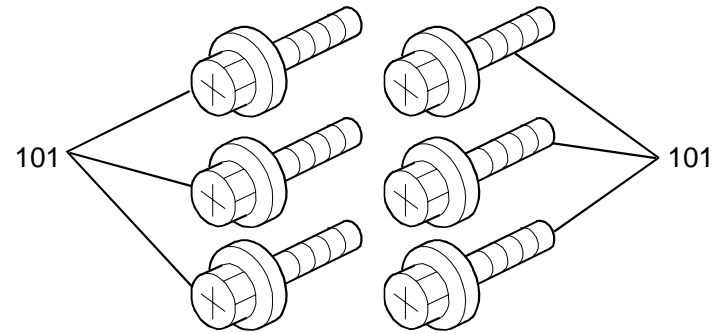
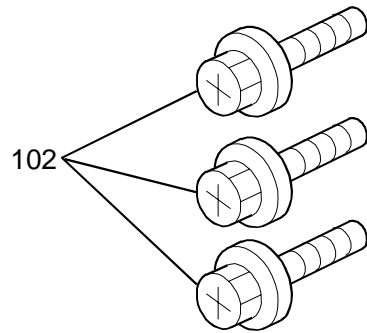
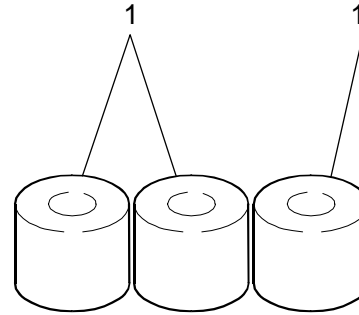
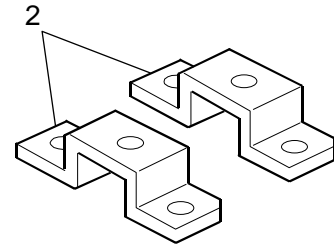
PARTS CATALOG

This catalog gives the numbers and names of parts on this machine.

1.LCT Adaptor (B699)	2
Parts Index	5

March ,25' 2005

1.LCT Adaptor (B699)



1.LCT Adaptor (B699)

Index No.	Part No.	Description	Q'ty Per Assembly
1	B699 1150	Stand:Large Capacity Tray	3
2	B699 1160	Bracket:Large Capacity Tray	2

Index No.	Part No.	Description	Q'ty Per Assembly
101	0451 4008N	Tapping Screw:4x8	
102	0360 3006N	Screw - M3x6	

Parts Index

Parts Index

Part No.	Description	Page and Index No.
B699 1150	Stand:Large Capacity Tray	3 - 1
B699 1160	Bracket:Large Capacity Tray	3 - 2

Part No.	Description	Page and Index No.
0360 3006N	Screw - M3x6	3 - 102
0451 4008N	Tapping Screw:4x8	3 - 101